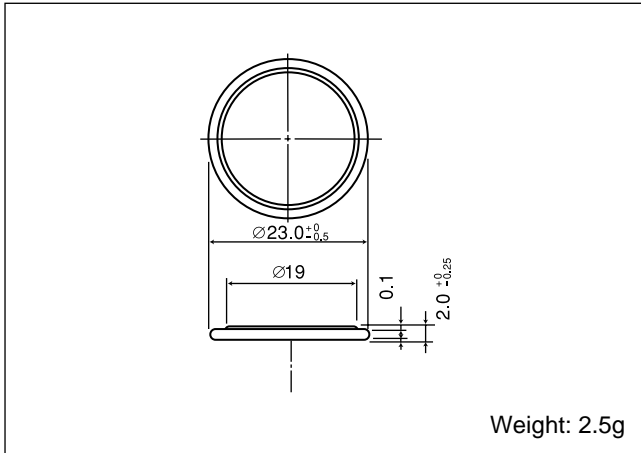


# BR2320

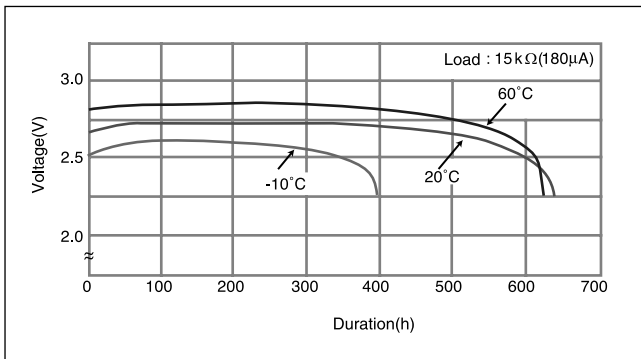
## ■ Dimensions(mm)



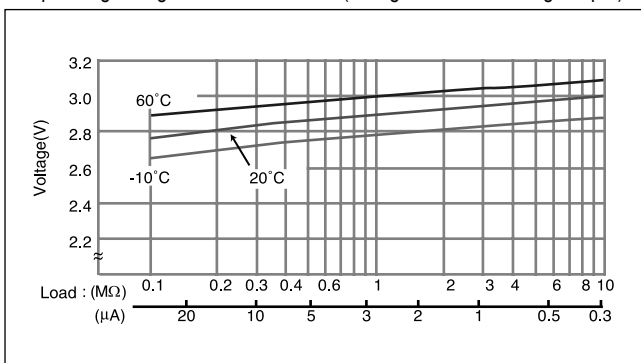
## ■ Specification

<b>Nominal voltage(V)</b>	3
<b>Nominal capacity(mAh)</b>	110
<b>Continuous standard load(mA)</b>	0.03
<b>Operating temperature(°C)</b>	-30 ~ +80

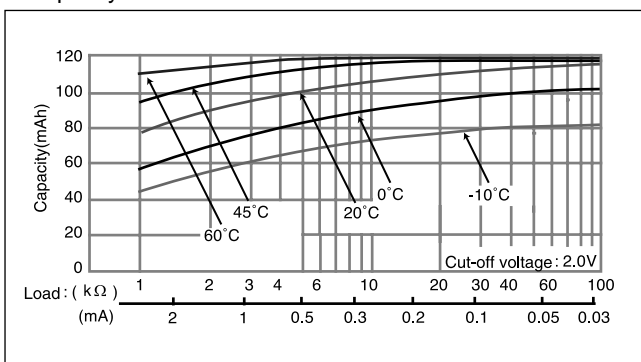
## ■ Temperature Characteristics



## ■ Operating voltage vs. load resistance(voltage at 50% discharge depth)

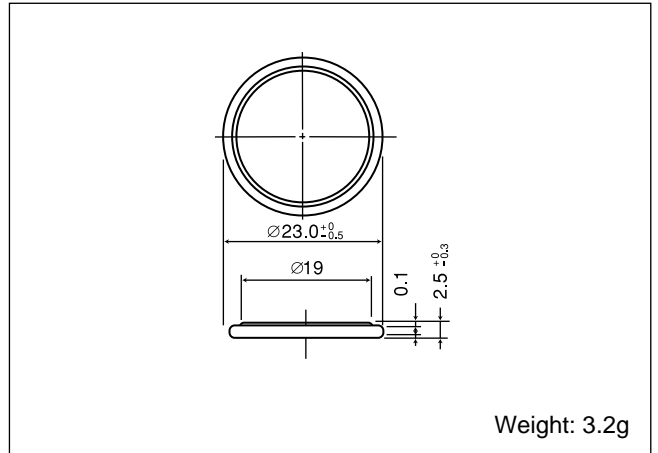


## ■ Capacity vs. load resistance



# BR2325

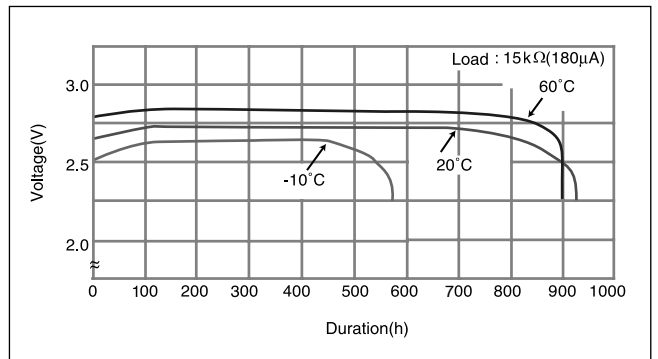
## ■ Dimensions(mm)



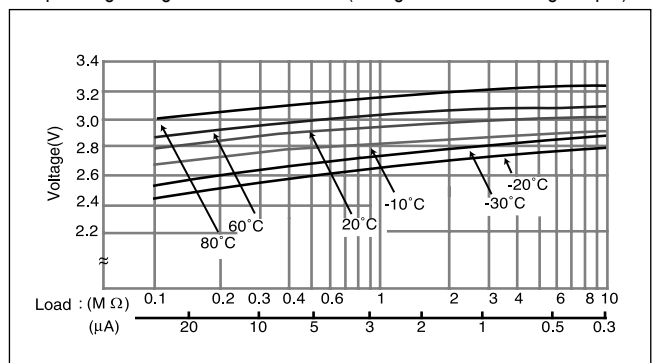
## ■ Specification

<b>Nominal voltage(V)</b>	3
<b>Nominal capacity(mAh)</b>	165
<b>Continuous standard load(mA)</b>	0.03
<b>Operating temperature(°C)</b>	-30 ~ +80

## ■ Temperature Characteristics



## ■ Operating voltage vs. load resistance(voltage at 50% discharge depth)



## ■ Capacity vs. load resistance

