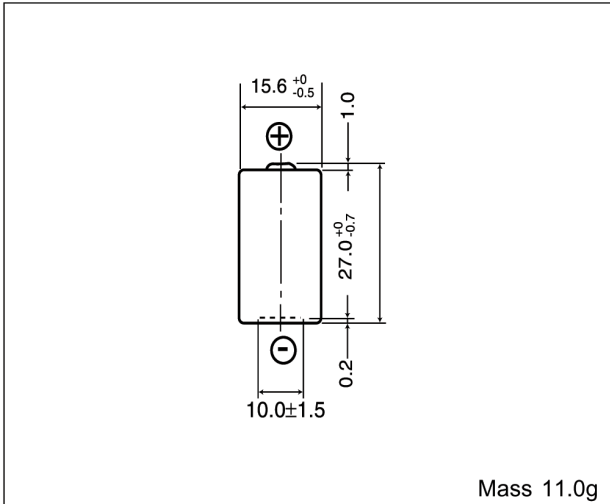


**CR2**

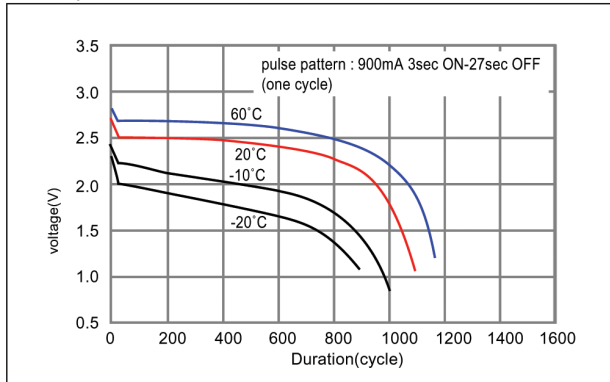
## ■ Dimensions(mm)



## ■ Specification

Nominal voltage(V)	3
Nominal capacity(mAh)	850
Continuous drain(mA)	20
Operating temperature(°C)	-40 ~ +70*

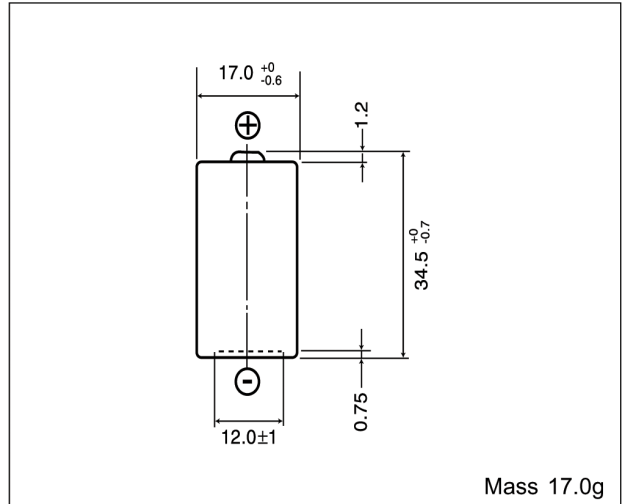
## ■ Temperature Characteristics



\* Please consult Panasonic for use below and above -20°C to +60°C.

**CR123A**

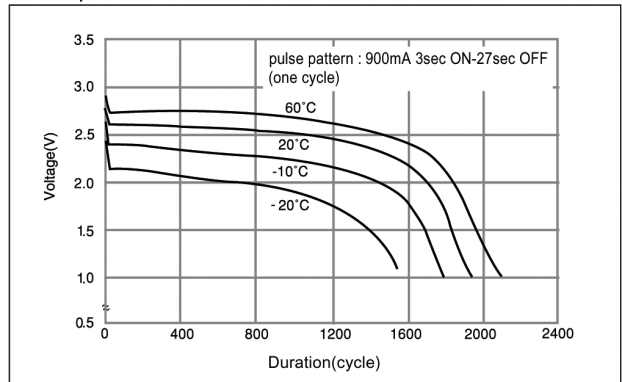
## ■ Dimensions(mm)



## ■ Specification

Nominal voltage(V)	3
Nominal capacity(mAh)	1,400
Continuous drain(mA)	20
Operating temperature(°C)	-40 ~ +70*

## ■ Temperature Characteristics



\* Please consult Panasonic for use below and above -20°C to +60°C.