

Model No.: **PX625A**

Description : Alkaline High Voltage Battery

Nominal Voltage : 1.5Volts

Nominal Dimensions : Ø15.60mm×5.95mm

Applications : Electronic toys, camera,...etc.

Average Weight : 2.9g

Date Code : Unless otherwise specified, each batteries will carry a numeric year code and analogue month code

Shelf Life : Not less than 90% of the service capacity within first year. , not less than 85% of the service capacity with third year storage at 20 ± 2 °C
45-75 %RH

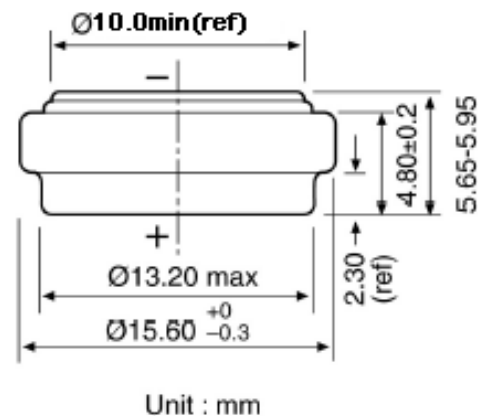
Close Circuit Voltage : 1.35 Volts (min.)(load resistor 100Ω at 20 ± 2 °C for 0.1 to 2 seconds)

Nominal Service Life : 18hrs (at 125Ω load)
(to 0.9V at 20 ± 2 °C)

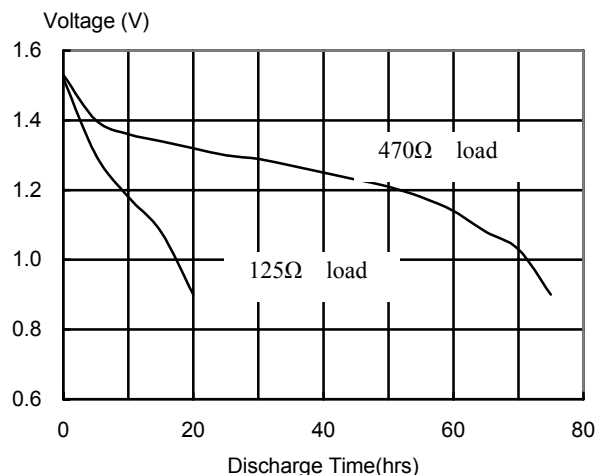
Average Service Capacity : 190mAh(at 470Ω load)
(to 0.9V at 20 ± 2 °C)

Cross References:

IEC	JIS	Duracell	Varta
LR9	LR9	PX625A	V625U



Typical Discharge characteristics at 20 ± 2 °C



The information (subject to change without prior notice) contained in this document is for reference only and should not be used as a basis for product guarantee or warranty. For applications other than those described here, please consult your nearest GP Sales and Marketing Office or Distributors.