

**BENEFITS:**

- Lasts longer in hearing aid devices
- Wide range of operating temperature



**APPLICATIONS BEST FOR:**



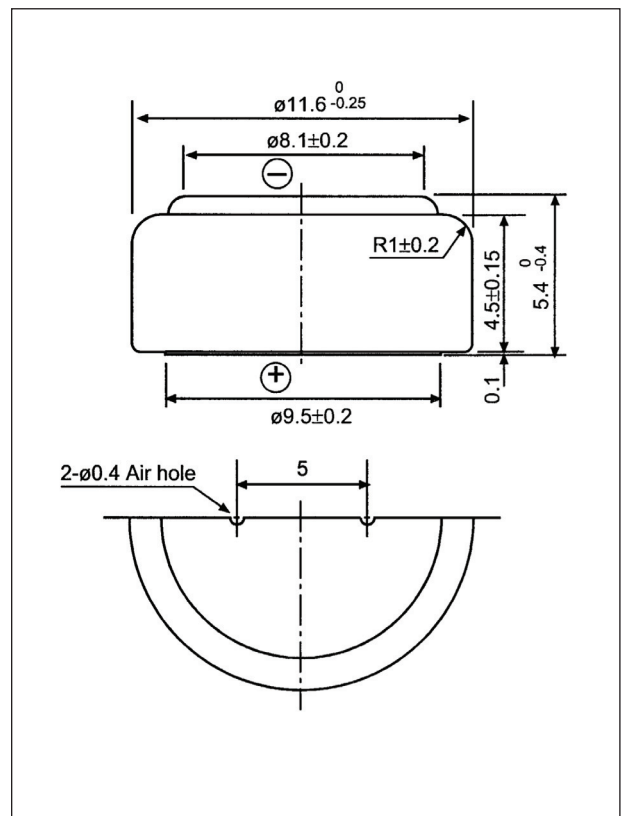
- **GP Zinc Air Battery**
- **1.4 Volts**

**Other Details:**

- Zinc Air chemistry
- Button cell type
- Average weight: 1.8g

**CROSS REFERENCES:**

GP	IEC/	Energizer	Duracell Varta	Rayovac
ZA675	PR44	AC675	675	675A



Unit : mm

Model No.: **GPZA675**