

HZB12-160 Valve Regulated Lead Acid battery.
12 year design life for stand by power applications.
12 Volts 160 Ah

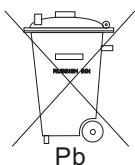
Innovative Features

- Completely maintenance free, sealed construction eliminates the need for watering
- Special formation process
- Analytical Grade electrolyte
- Spill proof / leak proof
- Valve regulated Max internal pressure 2.5 psi
- Multi-position usage
- ABS Case and cover - V0 on request
- Low self discharge
- FAA and IATA approved as non-hazardous
- Built to comply with IEC 896-2, DIN 43534, BS 6290 Pt4, Eurobat.



Specifications

Nominal Voltage	12 Volts
Nominal Capacity	160Ah (C20 @ 20 °C)
Design Life	12 Years
Operating Temperature	-20 °C to 50 °C
Grid alloy	Calcium / Tin lead alloy
Plates	Flat Pasted
Separator	Absorbant Glass Mat
Active material	Very high purity lead
Case and cover	ABS (VO on request)
Charge Voltage	Float 2.25 - 2.30 VPC @25 °C Cycling 2.35 @25 °C Max. 2.4 VPC Max ripple 0.05C (A)
Electrolyte	Sulphuric acid Analytical grade purity
Venting Valve	EPDM Rubber 1.5 to 2 psi (10.5 - 14 KPa) release pressure. Resealing at 1 psi (7 KPa)
Terminal	Insert 12mm Dia M5 thread. Epoxy sealed by extended mechanical paths
Torque setting	The recommended torque value for all types is 5-7 Nm
Cables	Connectors, cables, terminal covers on request.



Haze Battery Company keenly encourages environmental awareness; PLEASE follow guidelines for the recycling /disposal of lead.

Website: www.hazebattery.com
E mail : sales@hazebattery.com

Sealed Lead Acid 12 Volt Bloc AGM Range
PRODUCT SHEET HZB12-160

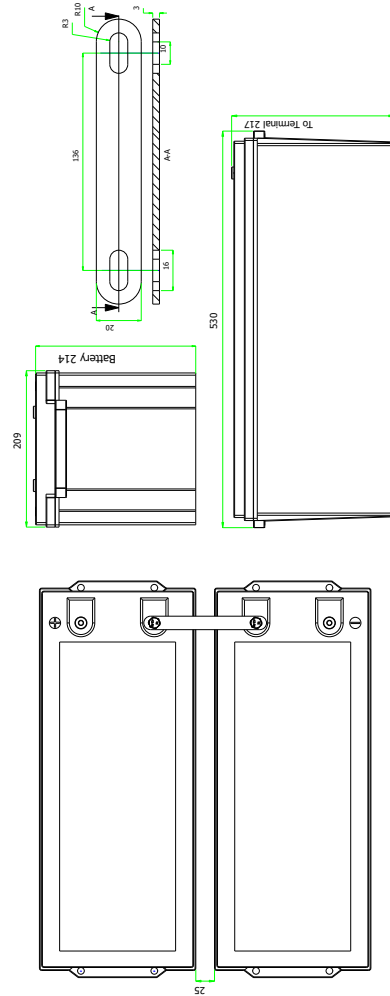
12V
AGM

Specifications

Nominal Voltage		12V	
Nominal Capacity		160 Ah	
Dimensions	Total Height (Inc. terminals)	214 mm n/a mm	8.43 inches n/a inches
	Length	530 mm	20.87 inches
	Width	209 mm	8.23 inches
	Weight	55 Kg	121.55 lbs

Characteristics

Capacity 20-25 °C (68-77 °F) To 1.7 volts	20 hour rate	192.1 Ah
	10 hour rate	170.5 Ah
	5 hour rate	142.6 Ah
	1 hour rate	110.2 Ah
	15 min rate	69.1 Ah
	Internal Resistance	2 mOhms
Capacity correction for Temperature Variations (C20)	Impedance	1750 S
	40 °C (104 °F)	102%
	20 °C (68 °F)	100%
	0 °C (32 °F)	85%
Self-Discharge 20 °C (68 °F)	-15 °C (5 °F)	65%
	Capacity after 1 months storage	98%
	Capacity after 3 months storage	94%
Short Circuit Current 20 °C (68 °F)	Capacity after 6 months storage	86%
		4700
Terminal	Standard	14mm Insert M6 thread
	Optional	Cu/Lead Flag - J Type - Auto
Charging (Constant Voltage)	Cyclic	2.35 - 2.40 VPC (20-25 °C)
	Float	2.27 - 2.30 VPC (15-25 °C)



Constant Power Discharge - Watts per Cell @ 20-25 °C

End V per Cell	5M	10M	15M	20M	25M	30M	35M	40M	45M	60M	90M	2 hr	3 hr	4 hr	5 hr	6 hr	7 hr	8 hr	10 hr	12 hr	20 hr
1.85	544	474	416	374	339	308	283	262	243	200	145	114	79.2	61.2	50.2	43.1	37.8	33.8	27.9	23.8	15.3
1.80	688	549	466	405	364	327	298	273	253	205	149	116	80.5	62.3	51.2	43.9	38.6	34.5	28.5	24.4	15.7
1.75	767	587	492	420	375	337	307	281	259	210	152	118	81.5	63.0	51.9	44.4	39.0	34.9	28.8	24.7	16.0
1.70	797	608	510	433	384	344	312	285	263	211	153	119	82.1	63.6	52.4	44.9	39.5	35.3	29.1	24.9	16.2
1.67	815	620	516	438	387	346	314	287	264	212	153	119	82.4	63.8	-	-	-	-	-	-	-
1.65	833	632	522	442	390	348	316	288	265	213	154	120	82.7	64.0	-	-	-	-	-	-	-
1.60	880	650	532	450	395	352	319	291	267	214	154	120	83.2	64.3	-	-	-	-	-	-	-

Constant Amps Discharge - Amps @ 20-25 °C

End V per Cell	5M	10M	15M	20M	25M	30M	35M	40M	45M	60M	90M	2 hr	3 hr	4 hr	5 hr	6 hr	7 hr	8 hr	10 hr	12 hr	20 hr
1.85	292	250	222	200	181	165	151	138	128	103	73.9	57.8	40.8	32.1	26.9	23.4	21.0	19.0	16.0	13.8	8.84
1.80	367	291	252	220	196	176	159	145	133	107	76.0	59.4	41.6	32.8	27.5	24.0	21.5	19.4	16.4	14.2	9.15
1.75	414	318	267	230	203	181	163	148	136	108	77.7	60.3	42.4	33.4	28.0	24.5	21.8	19.7	16.7	14.4	9.41
1.70	443	333	276	236	206	184	165	151	138	110	78.4	61.0	43.0	34.0	28.5	24.9	22.2	20.1	17.0	14.8	9.60
1.67	454	339	280	238	208	185	166	152	139	111	78.8	61.2	43.1	34.1	-	-	-	-	-	-	-
1.65	466	345	283	240	210	186	167	152	140	111	79.2	61.4	43.3	34.3	-	-	-	-	-	-	-
1.60	490	357	289	245	213	188	170	154	141	112	79.8	61.9	43.6	34.6	-	-	-	-	-	-	-

Ampere Hour @ 20-25 °C

End V per Cell	2 hr	3 hr	4 hr	5 hr	6 hr	7 hr	8 hr	10 hr	12 hr	20 hr
1.85	110.8	116	122	129	135	141	147	153	160	165
1.80	119	125	131	137	144	150	156	164	170	183
1.75	121	127	133	140	147	153	158	167	173	188
1.70	122	129	136	143	149	155	161	170	177	192
1.67	122	129	137	-	-	-	-	-	-	-
1.65	123	130	137	-	-	-	-	-	-	-
1.60	124	131	138	-	-	-	-	-	-	-

UL Recognised Component
MH28512

